

## D 1000 AP D 1000 APG

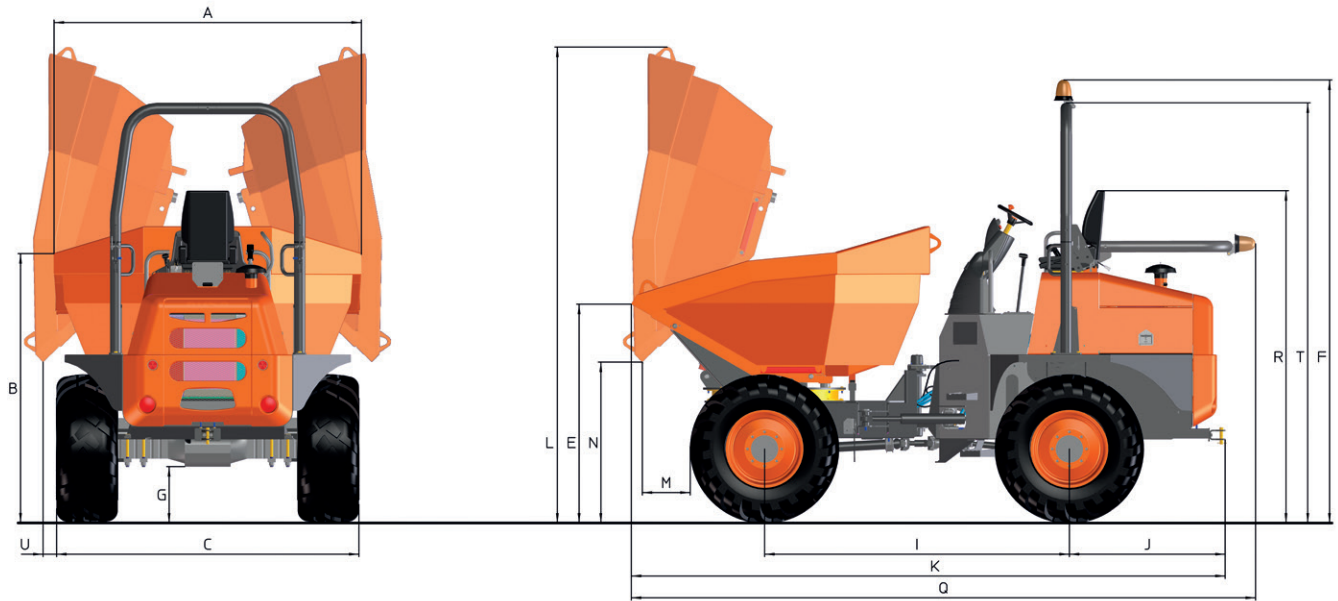


### TECHNICAL DATA

| GENERAL                 |        | D 1000 AP<br>M6323              | D 1000 AP PLUS<br>M6321 / M6320 | D 1000 APG<br>M6313             | D 1000 APG PLUS<br>M6311 / M6310 |
|-------------------------|--------|---------------------------------|---------------------------------|---------------------------------|----------------------------------|
| Unloading system        |        | Frontal                         | Frontal                         | Rotating                        | Rotating                         |
| Load capacity           | lb     | 22,000                          | 22,000                          | 22,000                          | 22,000                           |
| Chassis                 |        | Articulated and oscillating     | Articulated and oscillating     | Articulated and oscillating     | Articulated and oscillating      |
| Water hopper capacity   | cu yd  | 3.19                            | 3.19                            | 2.55                            | 2.55                             |
| Level hopper capacity   | cu yd  | 4.90                            | 4.90                            | 4.10                            | 4.10                             |
| Heaped hopper capacity  | cu yd  | 6.83                            | 6.83                            | 6.26                            | 6.26                             |
| Empty weight            | lb     | 10,500                          | 10,500                          | 11,000                          | 11,000                           |
| Transmission            |        | Torque converter                | Torque converter                | Torque converter                | Torque converter                 |
| <b>ENGINE</b>           |        |                                 |                                 |                                 |                                  |
| Brand                   |        | DEUTZ                           | DEUTZ / KUBOTA                  | DEUTZ                           | DEUTZ / KUBOTA                   |
| Model                   |        | TD3.6 L4                        | TD3.6 L4 / V3800CR-TE4B         | TD3.6 L4                        | TD3.6 L4 / V3800CR-TE4B          |
| Power                   | hp     | 74                              | 74 / 112                        | 74                              | 74 / 112                         |
| Operating speed         | rpm    | 2200                            | 2200 / 2600                     | 2200                            | 2200 / 2600                      |
| Torque                  | Nm@rpm | 390@1600                        | 390@1600 / 375@1500             | 390@1600                        | 390@1600 / 375@1500              |
| No. of cylinders        |        | 4                               | 4                               | 4                               | 4                                |
| Emissions               |        | T4f, StagelIIB                  | T4f, StagelIIB/T4i, StagelIIB   | T4f, StagelIIB                  | T4f, StagelIIB/T4i, StagelIIB    |
| Noise                   | dB(A)  | 101                             | 103                             | 101                             | 103                              |
| Consumption             | gal/h  | 3.6                             | 3.6 / 4.6                       | 3.6                             | 3.6 / 4.6                        |
| CO <sub>2</sub>         | lb/h   | 79.4                            | 79.4 / 99.2                     | 79.4                            | 79.4 / 99.2                      |
| <b>DRIVING</b>          |        |                                 |                                 |                                 |                                  |
| Max. speed              | mph    | 20                              | 20 / 24                         | 20                              | 20 / 24                          |
| Maximum gradient        | %      | 60                              | 60                              | 60                              | 60                               |
| External turning radius | in     | 234/291*                        | 234/291*                        | 232/289*                        | 232/289*                         |
| Traction                |        | 4x4                             | 4x4                             | 4x4                             | 4x4                              |
| Tyres                   |        | 500/60-22.5                     | 500/60-22.5                     | 500/60-22.5                     | 500/60-22.5                      |
| <b>HYDRAULIC SYSTEM</b> |        |                                 |                                 |                                 |                                  |
| Hydraulic circuit       |        | 25 cc gear pump                 | 25 cc gear pump                 | 25 cc gear pump                 | 25 cc gear pump                  |
| Working pressure        | psi    | 2,465                           | 2,465                           | 2,465                           | 2,465                            |
| <b>TANK CAPACITY</b>    |        |                                 |                                 |                                 |                                  |
| Fuel                    | gal    | 18.5                            | 18.5                            | 18.5                            | 18.5                             |
| Hydraulic system        | gal    | 17                              | 17                              | 17                              | 17                               |
| <b>BRAKES</b>           |        |                                 |                                 |                                 |                                  |
| Service                 |        | Sealed brakes. Hydraulic drive  | Sealed brakes. Hydraulic drive  | Sealed brakes. Hydraulic drive  | Sealed brakes. Hydraulic drive   |
| Parking                 |        | Sealed brakes. Mechanical drive | Sealed brakes. Mechanical drive | Sealed brakes. Mechanical drive | Sealed brakes. Mechanical drive  |

\* With closed cab

## DIMENSIONS



| DIMENSIONS (in) | D 1000 AP     | D 1000 AP PLUS | D 1000 APG    | D 1000 APG PLUS |
|-----------------|---------------|----------------|---------------|-----------------|
| A               | 96.7          | 96.7           | 97.4          | 97.4            |
| B               | 92.9          | 92.9           | 92.1          | 92.1            |
| C               | 95.5          | 95.5           | 95.5          | 95.5            |
| E               | 65.4          | 65.4           | 67.5          | 67.5            |
| F               | 137.8         | 137.8          | 138.4         | 138.4           |
| G               | 16.1          | 16.1           | 16.1          | 16.1            |
| I               | 96.5          | 96.5           | 96.5          | 96.5            |
| J               | 49.2          | 49.2           | 49.2          | 49.2            |
| K               | 179.7         | 179.7          | 188.0         | 188.0           |
| L               | 105.3         | 105.3          | 148.8         | 148.8           |
| M               | 28.3          | 28.3           | 17.9          | 17.9            |
| N               | 17.9          | 17.9           | 51.8          | 51.8            |
| Q               | 188.6         | 188.6          | 197.4         | 197.4           |
| R               | 99.0          | 99.0           | 99.0          | 99.0            |
| T               | 131.1 (126.2) | 131.1 (126.2)  | 131.1 (126.2) | 131.1 (126.2)   |
| U               | -             | -              | 3.3           | 3.3             |

\* With closed cab



[www.ausa.com](http://www.ausa.com)

Products are subject to modifications without prior notice. Images throughout the spec sheet may refer to non-standard machines or non-available configurations depending on models.

AUSA's logo and corporate identity are property of the Company, they cannot be used without authorization.